

General Requirements:

- A stage with minimum dimensions of 15 feet deep by 20 feet wide
- 2 tables **OR** 2 road case for laptop and control surface
- 5 x mic stands with boom
- 1 x mic stand with round base no boom
- AC power required for all 5 musicians

Backline Requirements:

- 2 floor toms, preferred size 16"
- 1 crash cymbal, preferred size 16"-18"
- 1 Nord Lead **OR** equivalent 48 key+ midi keyboard
- 1 double braced 2-tiered keyboard stand
- 1 Fender twin reverb 65 re-issue or vintage, **OR** Super Reverb re-issue, **OR** Delux Reverb re-issue **OR** VOX AC15/AC30 (reverb versions only)

F.O.H. Requirements:

- Minimum 4 dual 18" subwoofers, JBL **OR** EAW series, **OR** equivalent
- Peavey or Yorkville brands are not acceptable
- We require a front of house engineer, we do not travel with our own

Although we use traditional acoustic instruments like violin, dhol, dholak and tabla we are an electronic band and so the front of house should be mixed as such. Our music has bass-heavy electronic bed-tracks, thus bass and subwoofers are a must to ensure our music sounds as it's intended to.

The bed-tracks (laptop) are to be the most prominent instruments in the F.O.H. and everything else should sit nicely in the mix, not on top of it.

Any modifications to these requirements must be approved by Delhi 2 Dublin.

Any questions or concerns should be directed to:

info@delhi2dublin.com

or

Management Contact:

Eli Wener

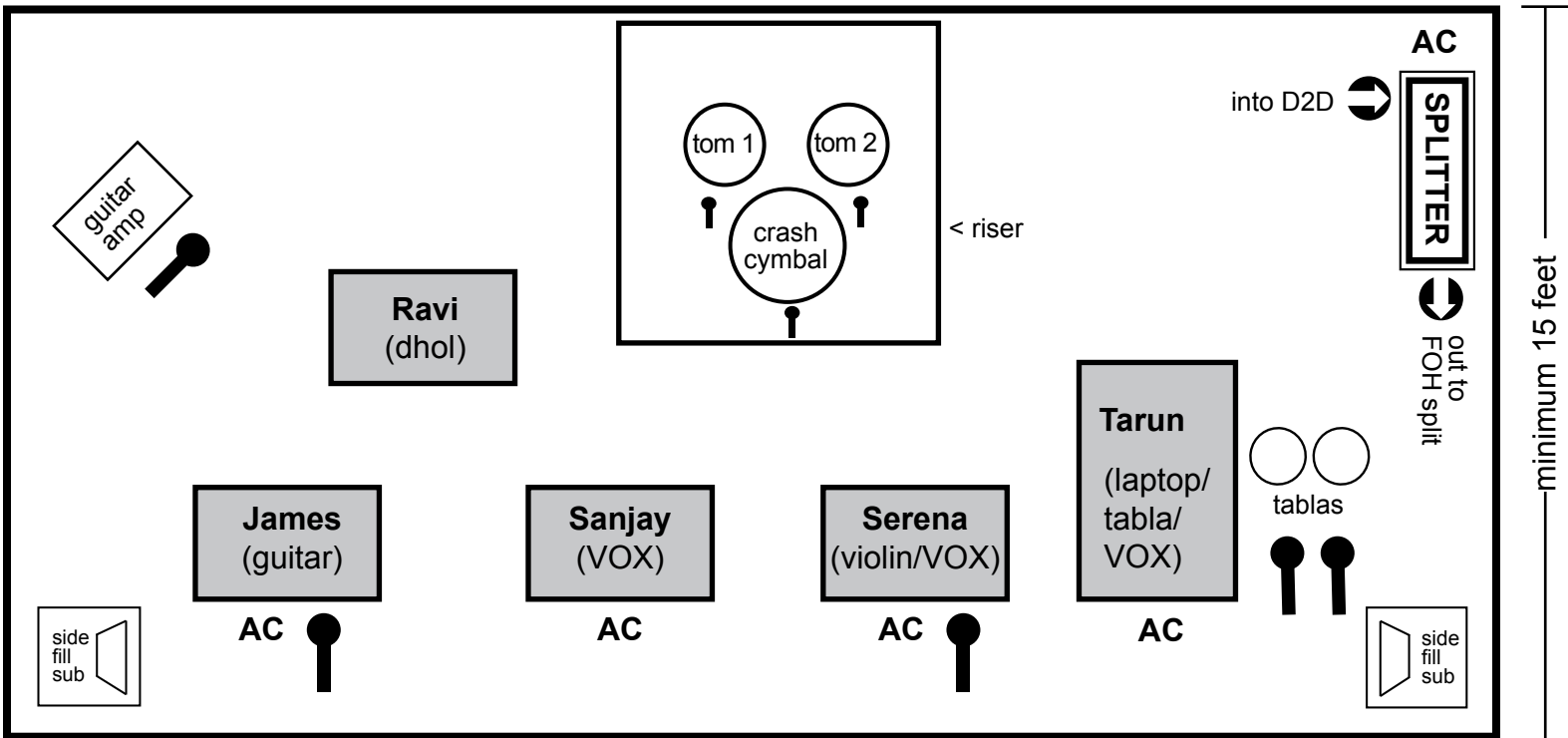
Hoax Artist Management & Licensing

Mobile: +1.604.765.4020

Email: eli@hoaxisover.com

Delhi 2 Dublin

// stage plot



STAGEFRONT

minimum 20 feet

minimum 15 feet

PLEASE NOTE

- You will be provided with 12 labelled XLRs (the split from our snake) to plug into your snake for front of house mixing

- We provide our own in-ear monitor mixes using REAPER software
- All mics, XLRs to be provided by the venue unless otherwise stated

INPUTS	SOURCE	INTO D2D	OUT TO FOH SPLIT	REQUIRED
1. Laptop L	DI	1	1	-
2. Laptop R	DI	2	2	-
3. Tabla HI	MIC	4	3	BETA 57
4. Tabla LOW	MIC	5	4	BETA 57
5. Drum Pad	DI	7	5	DI
6. Dhol	MIC	3	6	-
7. Guitar	MIC	16	7	MIC
8. Violin	DI	8	8	-
9. VOX (James - BG guitar)	MIC	14	9	VOCAL MIC
10. VOX (Sanjay - lead)	MIC	11	10	-
11. VOX (Serena - BG violin)	MIC	13	11	VOCAL MIC
12. VOX (Tarun - BG laptop)	MIC	12	12	-
13. Tom 1	MIC	-	13 homerun	MIC
14. Tom 2	MIC	-	14 homerun	MIC
15. Crash	MIC	-	15 homerun	OVERHEAD MIC
16. Click	DI	15		-